



### Descriptions

The FP series amplifier is a 2U (less than 240W) mixer amplifier featuring 70V, 100V and 4-16ohm speaker outputs & 4 universal balanced XLR mic inputs with phantom power. The amplifier rated power ranges from 60W, 120W, 240W to 350W, 500W (3U). There are 4 audio source selectors on the front panel. 4 Aux inputs by dual RCA type are located on the rear panel. Mic 1-4 with Vox priority selectors. The amplifier is also built-in pre-announcement chime with volume control and remote chime trigger. The REC output for tape recorder and PRE output, AMP input for adding extra signal processor like mixer, graphic equalizer. Volume control over Mic1-4, aux, master & overall treble/bass controls are provided. Complete protection includes short circuit and thermal protection, current limiter and overloading.

### Features

- \* 2U (less than 350W) tabletop and rack mount design and 3U (500W)
- \* Rated power output from 60W, 120W, 240W, 350W and 500W
- \* 4 balanced XLR microphone inputs with phantom power and gain control
- \* 4 dual RCA line inputs
- \* 70V, 100V and 4-16ohm speaker terminals
- \* Mic 1-4 with selectable priority over other inputs
- \* Built-in chime, 2/4 tone selector and remote trigger
- \* XLR balanced line output for extra power amplifier
- \* REC output for tape recorder
- \* PRE Output and AMP input for extra signal processor
- \* Master, Mic1-4, Aux volume control, treble and bass control
- \* Indications includes power and output level meter
- \* AC 110V or 230V and DC 24V operation

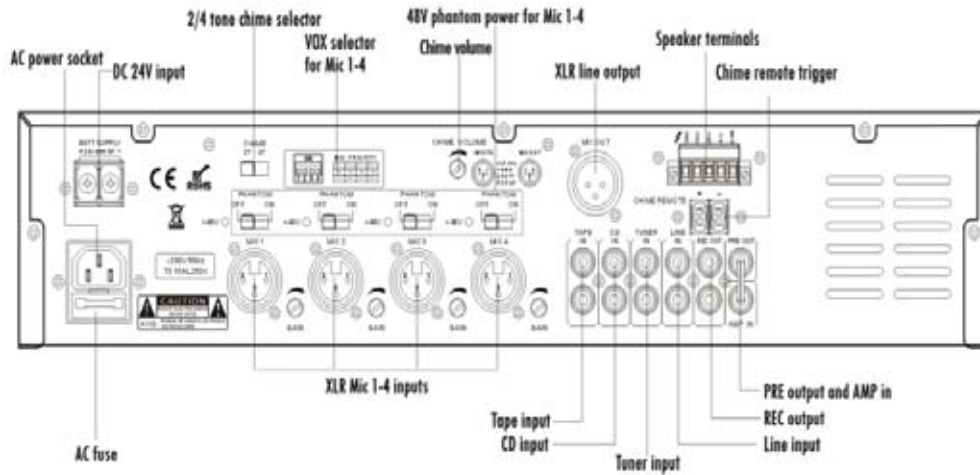
### Optional

- \* DC 24V
- \* Panel with/without handhold
- \* Faults monitoring module, it can output short circuit signal to achieve main/spare amplifier switch

### Specifications

Model	T-60FP
Rated Power Output	60W
Speaker Outputs	50V, 70V, 100V & 4~16Ω
Input Sensitivity & Impedance	MIC 1, 2, 3, 4: ±2.5mV/2KΩ, Balanced XLR input AMP: 1000mV/10KΩ, Unbalanced RCA input TAPE, CD, TUNER, LINE INPUT(AUX): 350mV/10KΩ, Unbalanced RCA input
Output Sensitivity & Impedance	REC OUT: 200mV/470Ω, Unbalanced RCA output PRE OUT: 1000mV/470Ω, Unbalanced RCA output
Overload	MIC 1, 2, 3, 4: >15dB
Electromotive Force	AUX: >18dB
Tone	Bass: ±10dB at 100Hz, Treble: ±10dB at 10KHz
Frequency Response	50Hz~16KHz(+1dB, -3dB)
S/N Ratio	MIC 1, 2, 3, 4: 66dB; AUX: 76dB
THD	Less than 0.1% at 1KHz, 1/3 rated power
Muting Function	MIC 1~4 overrides other input signals with 30 dB attenuation Set the priority for MIC1~4 by the "MIC PRIORITY" switch on the rear panel( Priority function available when it is "ON", the priority will be on lower level same as AUX input when it is "OFF")
Gain Control	±2.5mV~±75mV at 30dB
Crosstalk	≤50dB
Phantom Power	+48V with LED indicator
Chime	2 tone and 4 tone options
Cooling	Fan automatically start up when temp reaches 55°C ( Equipment below 120W will convect and cool button-up)
Protection	High temp, overload & short-circuit
Power Supply	~110V/60Hz or ~230V/50Hz & DC 24V
Power Consumption	100W
Dimensions	484x303x88mm
Weight	7.5Kg
Finish	Panel: aluminum plate, black Case: steel plate, black

2U Rear Panel T-60FP



Connections

