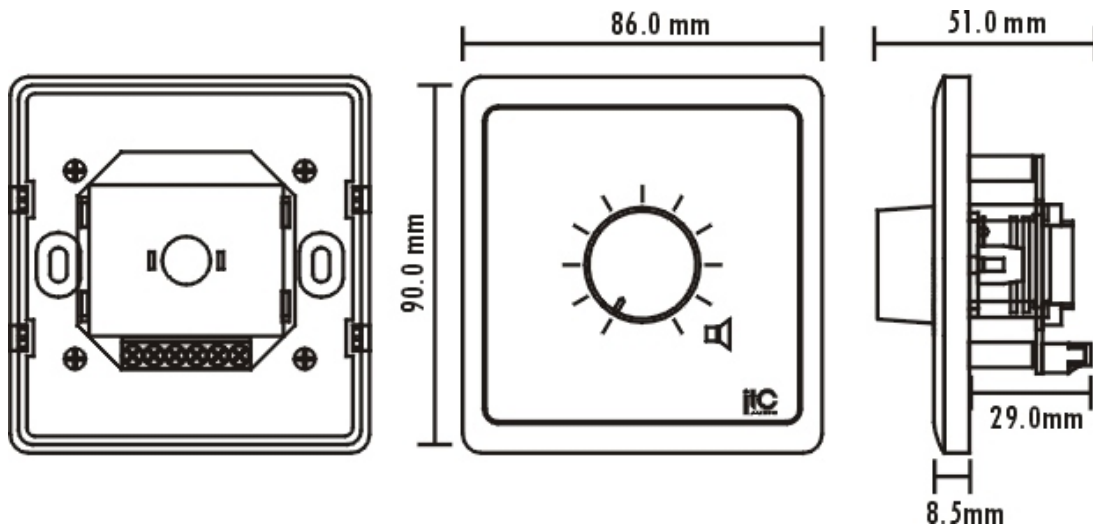


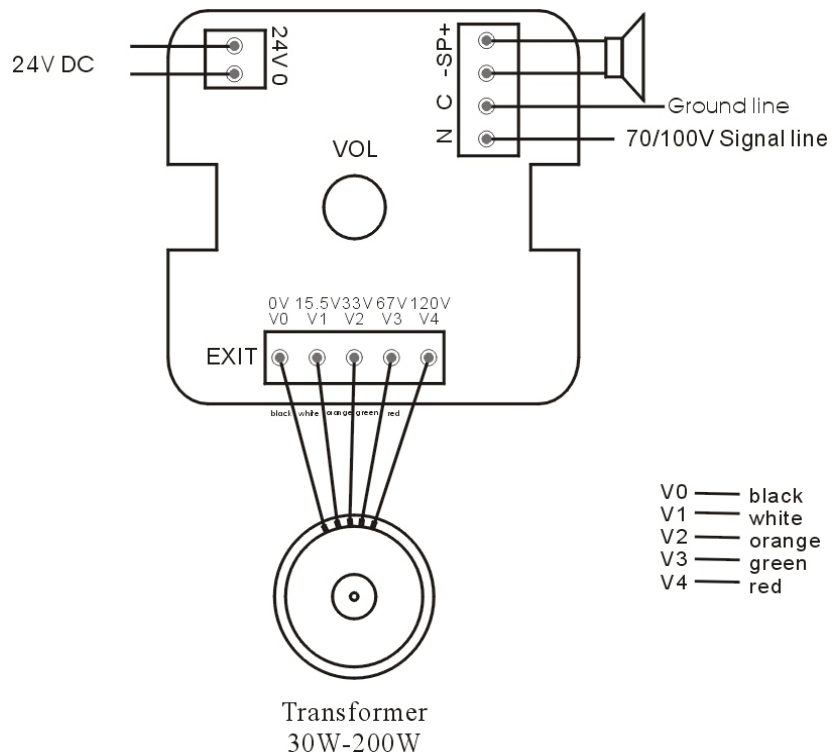


## Specifications

<b>Model</b>	T-6
<b>Input Power</b>	6W
<b>Control Mode</b>	Low impedance mode
<b>Signal Input</b>	70~100V
<b>Signal Output</b>	0~100V
<b>Speaker Type</b>	Voltage speaker
<b>Frequency Response</b>	80-16KHz
<b>Attenuation</b>	Impedance
<b>Relay</b>	/
<b>Step</b>	11 steps
<b>Finish</b>	ABS, white
<b>Mounting Size</b>	86x86x50mm
<b>Dimension</b>	86x90x51mm
<b>Weight</b>	0.12Kg
<b>Accessory</b>	One pair screw of M3.5x2.0



### Connections



- V0 — black
- V1 — white
- V2 — orange
- V3 — green
- V4 — red