

Features

- 5" full range superior quality ceiling speaker
- Good quality driver of excellent frequency response
- 5 power taps of 0.75W, 1.5W, 3W, 6W @100v
- Metal baffle, metal grille
- Easy spring clip installation
- Metal back box could be added

Description

The T-105Y is a ceiling speaker built-in 70v/100v transformer. The 70v/100v transformer technique reduces line losses on longer distance and allows easy parallel connection of multiple loudspeakers.

The built-in 5" full range speaker driver is designed of wide frequency response 100-18kHz, the multiple power taps 0.75W, 1.5W, 3W & 6W are helpful for different applications varies from room size and ambient noise surroundings. The metal grille and metal baffle are painted in attractive white color. Its spring clip clamp makes the easy and secure installation.

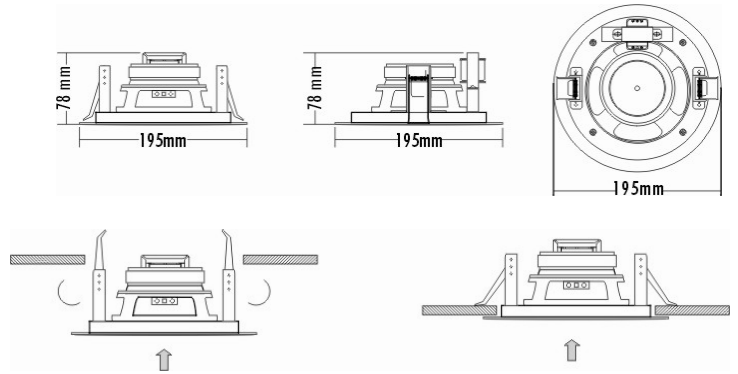
It is ideal choice for industrial and commercial applications in hotel, school, office and factory where background music and paging is needed.



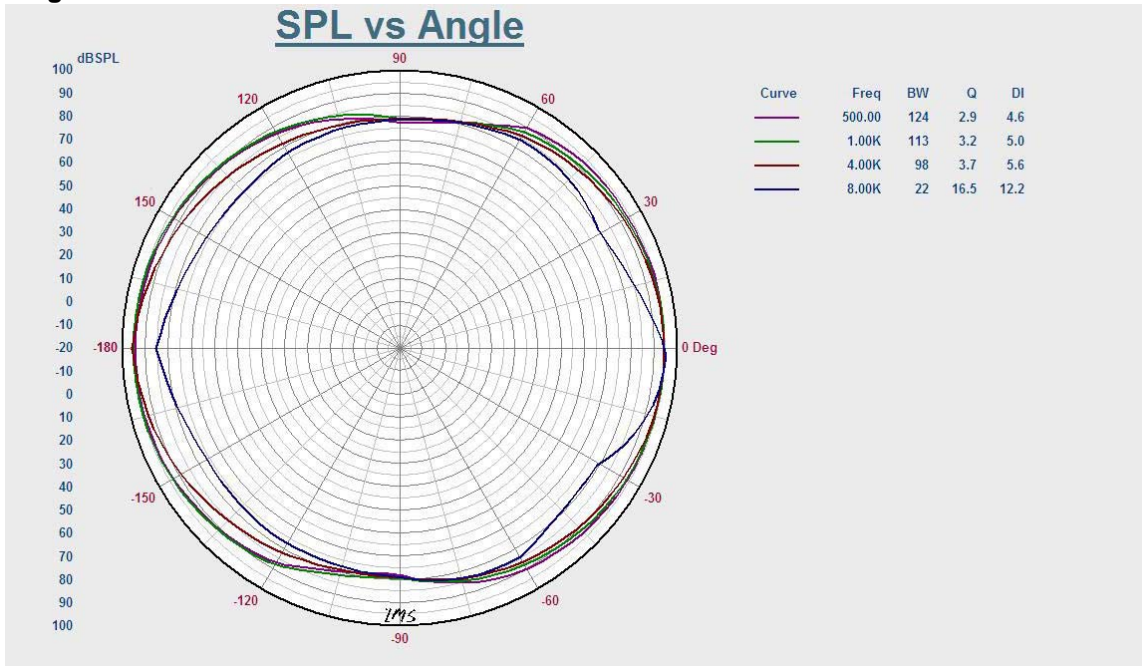
Specification

Model	T-105Y
Power Taps @100V	0.75W,1.5W,3W,6W
Power Taps @70V	0.38W/0.75W/1.5W/3W
Impedance	Black:Com Blue: 13.3KΩ Red: 6.7KΩ Green: 3.3KΩ White: 1.7KΩ
Sensitivity	90dB±3dB
Max SPL	98dB±3dB
Frequency Response	100-18KHz
Material	Metal
Speaker Unit	5"
Cutout Size	165mm
Dimension	195 x 78mm
Weight	0.9Kg

Appearance:



Direction Diagram:



Frequency Response:

