



## PUBLIC ADDRESS SYSTEM

# OPERATION MANUAL

T-30MB  
T-60MB  
T-120MB  
T-240MB  
T-350MB  
PA AMPLIFIER



Please follow the instructions in this manual to obtain the optimum results from this unit. We also recommend that you keep this manual handy for future reference.

# TABLE OF CONTENTS

<b>1. SAFETY PRECAUTIONS</b> .....	3
<b>2. GENERAL DESCRIPTION</b> .....	5
<b>3. FEATURES</b> .....	5
<b>4. NOMENCLATURE AND FUNCTIONS</b>	
4.1 Front Panel(2U) .....	6
4.2 Rear Panel(2U).....	7
4.3 Front Panel(3U) .....	8
4.4 Rear Panel(3U).....	9
<b>5. CONNECTIONS</b>	
5.1. Speaker Connections .....	10
5.2. XLR Connections .....	10
<b>6. MACHINE OPERATION</b> .....	11
<b>7. APPLICATIONS</b> .....	12
<b>8. BLOCK DIAGRAM</b> .....	14
<b>9.SPECIFICATIONS</b> .....	15
<b>10.DIMENSIONAL DIAGRAM</b> .....	17

# 1. SAFETY PRECAUTIONS

- Be sure to read the instructions in this section carefully before use.
- Make sure to observe the instructions in this manual as the conventions of safety symbols and messages regarded as very important precautions are included.
- We also recommend you keep this instruction manual handy for future reference.

## Safety Symbol and Message Conventions

Safety symbols and messages described below are used in this manual to prevent bodily injury and property damage which could result from mishandling. Before operating your product, read this manual first and understand the safety symbols and messages so you are thoroughly aware of the potential safety



### WARNING

Indicates a potentially hazardous situation which, if mishandled, could result in death or serious personal injury.



### CAUTION

Indicates a potentially hazardous situation which, if mishandled, could result in moderate or minor personal injury, and/or property damage.



### WARNING

#### When Installing the Unit

- Do not expose the unit to rain or an environment where it may be splashed by water or other liquids, as doing so may result in fire or electric shock.
- Use the unit only with the voltage specified on the unit. Using a voltage higher than that which is specified may result in fire or electric shock.
- Do not cut, kink, otherwise damage nor modify the power supply cord. In addition, avoid using the power cord in close proximity to heaters, and never place heavy objects -- including the unit itself -- on the power cord, as doing so may result in fire or electric shock.
- Be sure to replace the unit's terminal cover after connection completion. Because high voltage is applied to the speaker terminals, never touch these terminals to avoid electric shock.
- Be sure to ground to the safety ground (earth) terminal to avoid electric shock. Never ground to a gas pipe as a catastrophic disaster may result.
- Avoid installing or mounting the unit in unstable locations, such as on a rickety table or a slanted surface. Doing so may result in the unit falling down, causing personal injury and/or property damage.

#### When the Unit is in Use

- Should the following irregularity be found during use, immediately switch off the power, disconnect the power supply plug from the AC outlet and contact your nearest **ITC** dealer. Make no further attempt to operate the unit in this condition as this may cause fire or electric shock.
  - If you detect smoke or a strange smell coming from the unit.
  - If water or any metallic object gets into the unit
  - If the unit falls, or the unit case breaks
  - If the power supply cord is damaged (exposure of the core, disconnection, etc.)
  - If it is malfunctioning (no tone sounds.)
- To prevent a fire or electric shock, never open nor remove the unit case as there are high voltage components inside the unit. Refer all servicing to your nearest **ITC** dealer.
- Do not place cups, bowls, or other containers of liquid or metallic objects on top of the unit. If they accidentally spill into the unit, this may cause a fire or electric shock.
- Do not insert nor drop metallic objects or flammable materials in the ventilation slots of the unit's cover, as this may result in fire or electric shock.

# 1. SAFETY PRECAUTIONS

## CAUTION

### When Installing the Unit

- Never plug in nor remove the power supply plug with wet hands, as doing so may cause electric shock.
- When unplugging the power supply cord, be sure to grasp the power supply plug; never pull on the cord itself. Operating the unit with a damaged power supply cord may cause a fire or electric shock.
- When moving the unit, be sure to remove its power supply cord from the wall outlet. Moving the unit with the power cord connected to the outlet may cause damage to the power cord, resulting in fire or electric shock. When removing the power cord, be sure to hold its plug to pull.
- Do not block the ventilation slots in the unit's cover. Doing so may cause heat to build up inside the unit and result in fire.
- Avoid installing the unit in humid or dusty locations, in locations exposed to the direct sunlight, near the heaters, or in locations generating sooty smoke or steam as doing otherwise may result in fire or electric shock.

### When the Unit is in Use

- Do not place heavy objects on the unit as this may cause it to fall or break which may result in personal injury and/or property damage. In addition, the object itself may fall off and cause injury and/or damage.
- Make sure that the volume control is set to minimum position before power is switched on. Loud noise produced at high volume when power is switched on can impair hearing.
- Do not operate the unit for an extended period of time with the sound distorting. This is an indication of a malfunction, which in turn can cause heat to generate and result in a fire.
- Contact your **ITC** dealer as to the cleaning. If dust is allowed to accumulate in the unit over a long period of time, a fire or damage to the unit may result.
- If dust accumulates on the power supply plug or in the wall AC outlet, a fire may result. Clean it periodically. In addition, insert the plug in the wall outlet securely.
- Switch off the power, and unplug the power supply plug from the AC outlet for safety purposes when cleaning or leaving the unit unused for 10 days or more. Doing otherwise may cause a fire or electric shock.

An all-pole mains switch with a contact separation of at least 3 mm in each pole shall be incorporated in the electrical installation of the building.

## 2. GENERAL DESCRIPTION

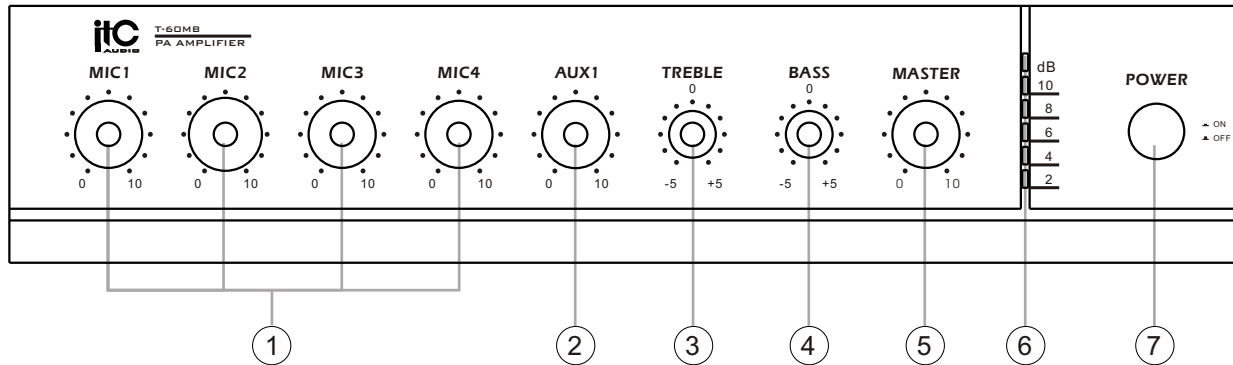
The PA AMPLIFIER series provide an integrated sound system for background music, paging and fire emergency alarm applications, the multi choices of power wattages from 30W to 120W and 240W to 350W can provide an ideal public address solution from small to big places such as mosques, schools, hotels and factories to train stadium and air stations.

## 3. FEATURES

1. Rated outputs from 30W、 60W to 120W and 240W、 350W.
2. 100V/70V line transformer-isolated speaker outputs, low impedance 4ohms speaker outputs.
3. Four microphone input port ,each way have alone Phantom power select switch.
4. MIC 1 features highest priority with compulsive insert
5. AUX, MIC, Bass, Treble and Master volume control.
6. Power and protection indicators and 6 output level meters.

## 4. NOMENCLATURE AND FUNCTIONS

### 4.1 FRONT PANEL(2U)



#### 1. MIC1 \ MIC2 \ MIC3\MIC4

MIC volume control (MIC1/MIC2/MIC3/MIC4)

#### 2. AUX1

AUX volume control (AUX 1)

#### 3. TREBLE

Adjust treble response. Rotate clockwise to increase treble output and anticlockwise to reduce it.

#### 4. BASS

Adjust bass response. Rotate clockwise to increase bass output and anticlockwise to reduce it.

#### 5. MASTER

Master volume control All input level control

#### 6. OUTPUT LEVEL

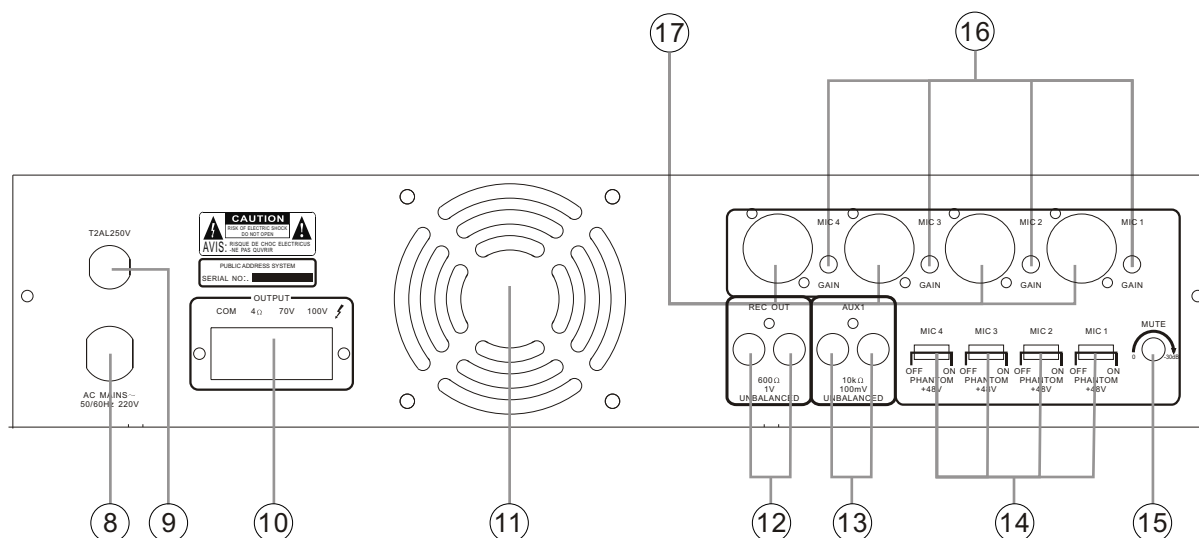
Level meters 6 output level indicators

#### 7. POWER SWITCH

On top of the opening Power

Press the end, power shut down

## 4.2 REAR PANEL (2U)



**8. ~220V/50Hz AC POWER INPUT**

**9. AC FUSE**

**10. SPEAKER TERMINALS**

Connectors for 4 ohms or 70V and 100V speaker

**11. COOLING FANS**

**12. REC OUT**

Recording voice message Output

**13. AUX1**

Auxiliary input jack, Non-equilibrium of connecting peripherals signal

**14. +48V PHANTOM SWITCHES**

**15. MUTE**

Mute Microphone 1 mute level control

**16. GAIN**

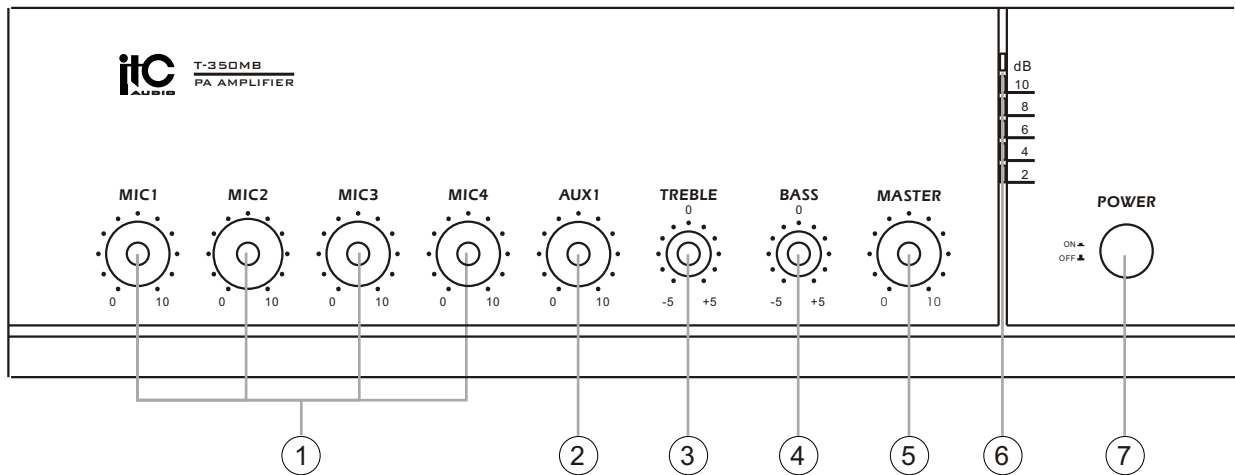
Gain control

**17. MIC1 \ MIC2\MIC3\MIC4**

MIC balanced inputs

## 4. NOMENCLATURE AND FUNCTIONS

### 4.3 FRONT PANEL(3U)



#### 1. MIC1 \ MIC2 \ MIC3\MIC4

MIC volume control (MIC1/MIC2/MIC3/MIC4)

#### 2. AUX1

AUX volume control (AUX 1)

#### 3. TREBLE

Adjust treble response. Rotate clockwise to increase treble output and anticlockwise to reduce it.

#### 4. BASS

Adjust bass response. Rotate clockwise to increase bass output and anticlockwise to reduce it.

#### 5. MASTER VOL

Master volume control All input level control

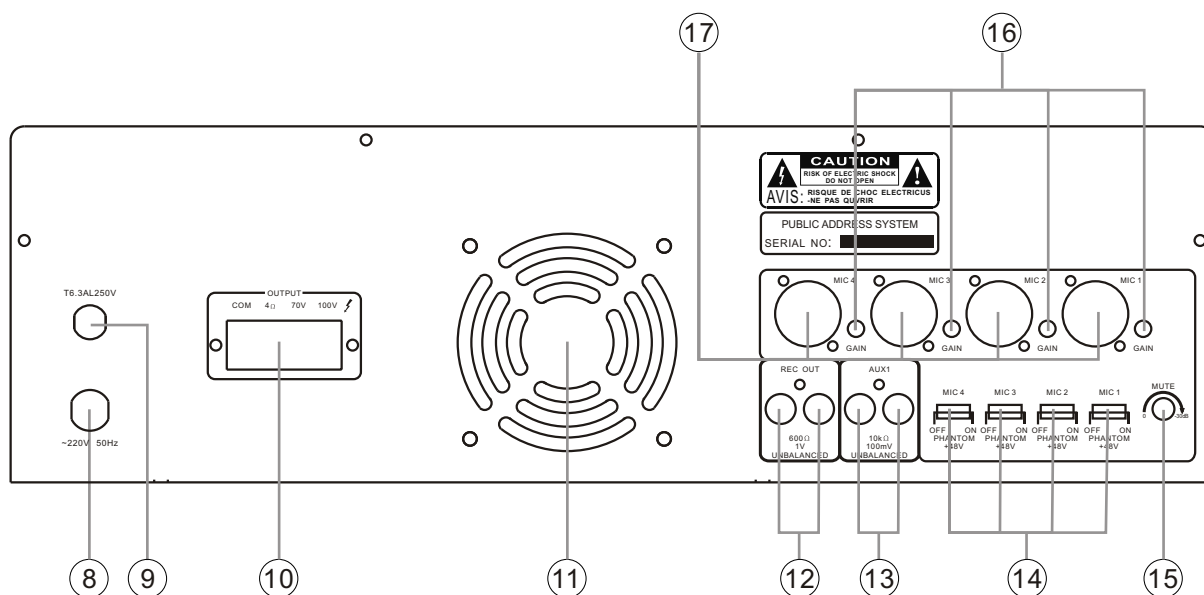
#### 6. OUTPUT LEVEL

Level meters 6 output level indicators

#### 7. POWER SWITCH

On top of the opening Power  
Press the end, power shut down

## 4.4 REAR PANEL(3U)



**8. ~220V/50Hz AC POWER INPUT**

**9. AC FUSE**

**10.SPEAKER TERMINALS**

Connectors for 4 ohms or 70V and 100V speaker

**11.COOLING FANS**

**12.REC OUT**

Recording voice message Output

**13.AUX1**

Auxiliary input jack, Non-equilibrium of connecting peripherals signal

**14.+48V PHANTOM SWITCHES**

**15.MUTE**

Mute Microphone 1 mute level control

**16.GAIN**

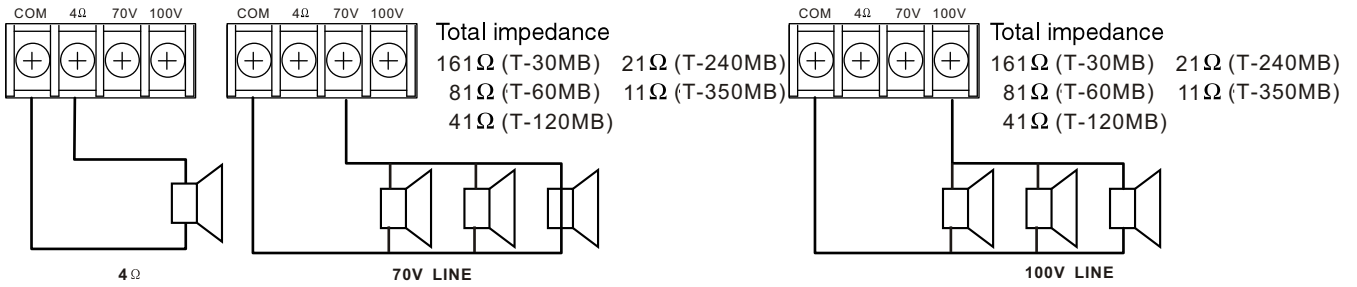
Gain control

**17.MIC1 \ MIC2\MIC3\MIC4**

MIC balanced inputs

## 5. CONNECTIONS

### 5.1 SPEAKER CONNECTIONS



#### Notes

- Both the 4 Ω and 70 V/100 V terminals cannot be used at the same time.
- Impedances indicated in the figures represent the total speaker system (load) impedances.

## WARNING

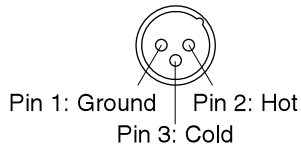
Be sure to attach the supplied terminal cover after connection completion. Because high voltage is applied to the speaker terminals, never touch these terminals to avoid electric shock.

### 5.2 XLR CONNECTIONS

Combined XLR (female)/phone jack connectors.

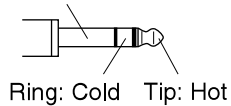
#### Usable connectors and plugs

- XLR type male connector



- Phone plug

Sleeve: Ground



## 6. MACHINE OPERATION

### OPERATION ATTENTION

The four output connectors only can choose two connectors work together. If voltage is 70V/100V, the speakers must be with transformer and make sure the total power wattage of speaker is 15% less than the power wattage of amplifier.

### MUTE FUNCTION

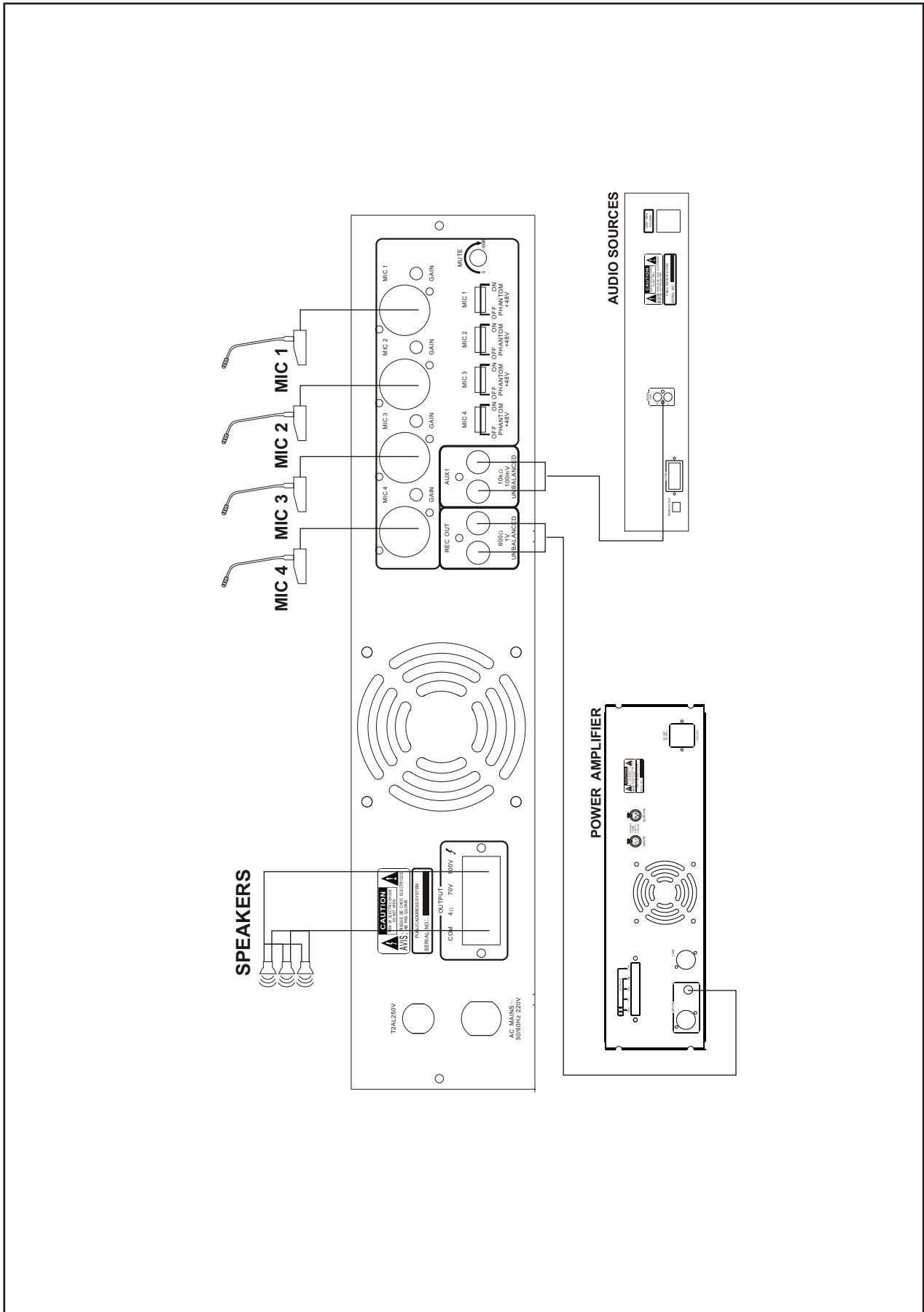
MIC 1 with the first priority over other inputs, the adjustment should be kept within 0-30dB with the mute connector, 30dB is the original setting.

### GUIDANCE OF EXCLUDING ERRORS

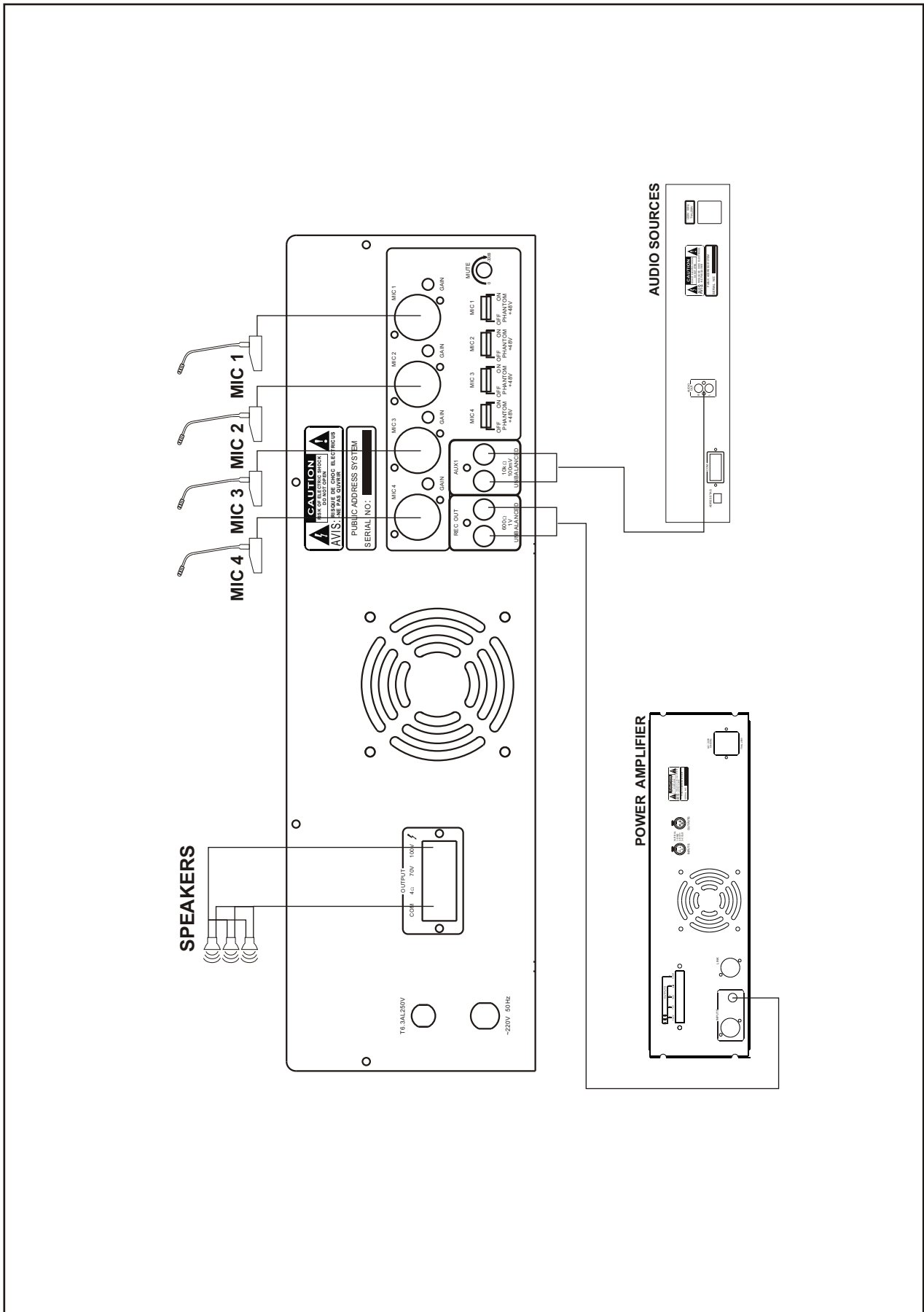
Phenomena	Cause
All the wires are connected well but no voice output	1 No power or wrong plug connection 2 Fuse is burned 3 Volume is town off 4 No input signal
Power on but alarming signal	1 Overloading or short circuit 2 Voltage is not stable, too high or low
No voice output in normal condition	1 Machine is in protection condition in case of high temperature 2 Wrong wire connection

# 7. APPLICATIONS

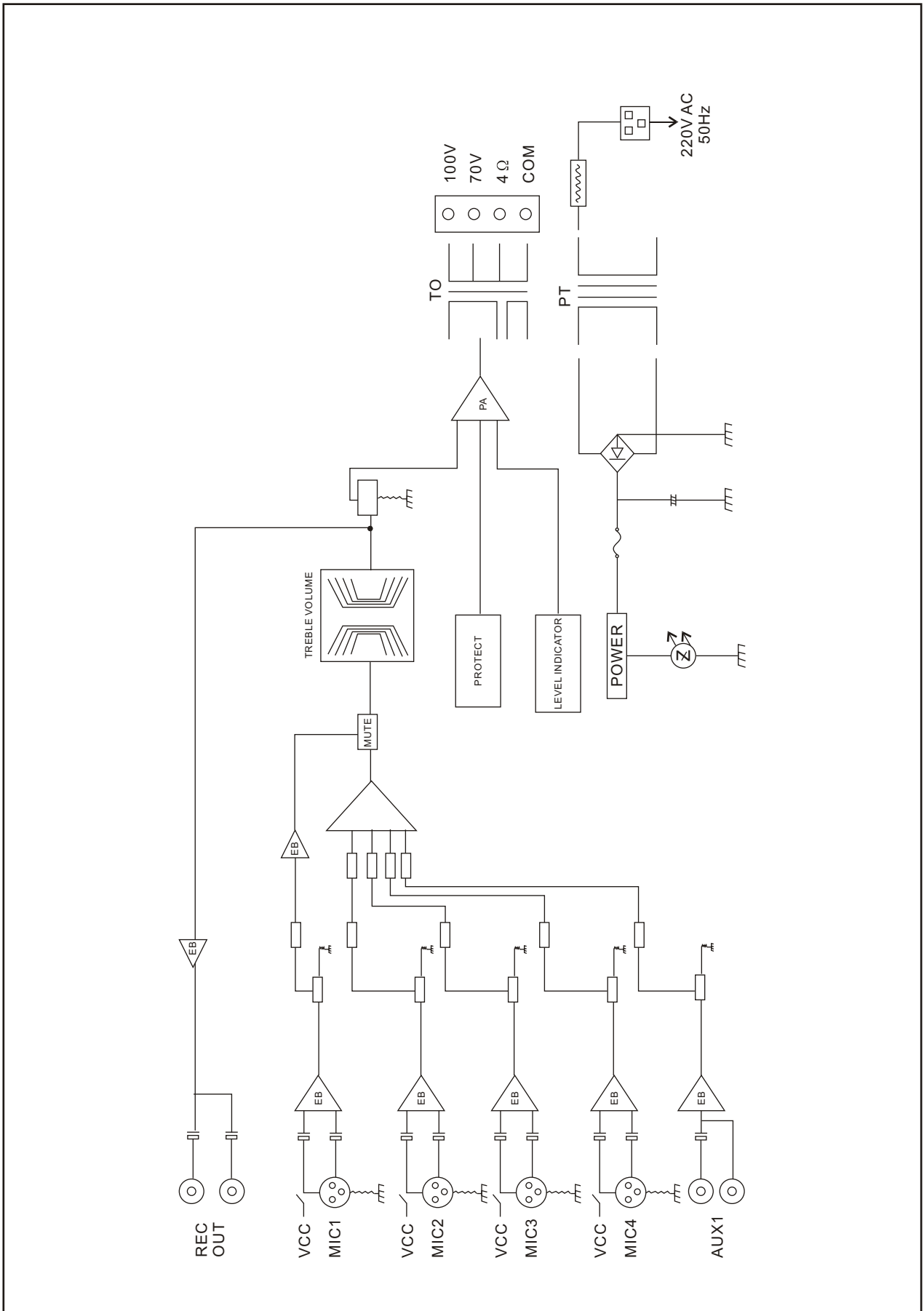
## T-30MB/60MB/120MB/240MB REAR PANEL CONNECTIONS



## T-350MB REAR PANEL CONNECTIONS



# 8. BLOCK DIAGRAM



## 9. SPECIFICATIONS

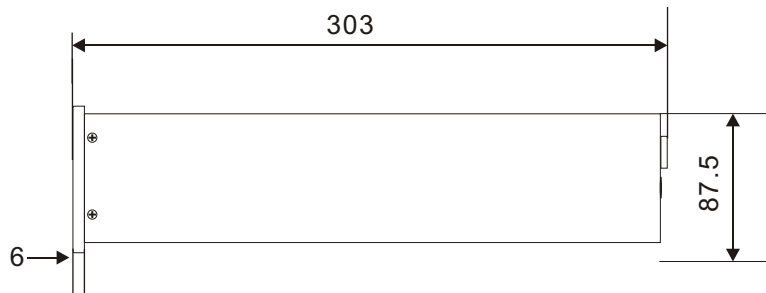
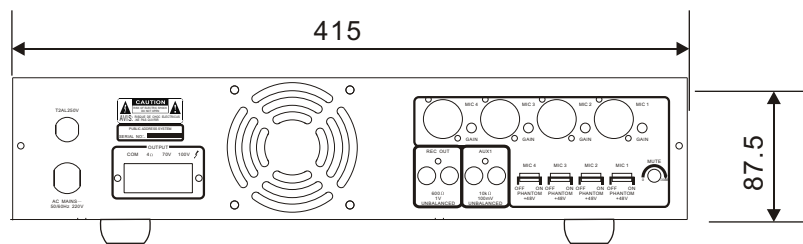
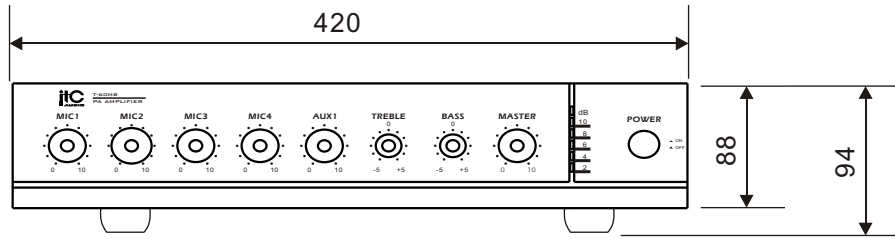
PA AMPLIFIER(2U)			
MODEL	T-30MB	T-60MB	T-120MB
RATED POWER OUTPUT	30W	60W	120W
SPEAKER OUTPUTS	4 Ω,70V/100V		
INPUT IMPEDANCE	MIC 1、2、3、4: 2mv/600 Ohms,Balanced /Unbalanced AUX 1: 300mV/15KOhms, Unbalanced		
AUX OUTPUT	600ohm 1V		
FREQUENCY RESPONSE	80Hz~15KHz		
S/N RATIO	MIC 1、2、3: 66dB;AUX 1: 80dB		
T.H.D	Less than 1% at 1KHz,1/3 rated power		
TONE CONTROL	Bass: ±10dB at 80Hz Treble: ±10dB at 15KHz		
PROTECTION	DC output , overload, overheat, shortcircuit		
POWER REQUIREMENTS	MIC 1 input with first priority		
POWER CONSUMPTION	~220V/50Hz		
PROTECTION	60W	100W	200W
DIMENSION(mm)	420X303X88		
NET WEIGHT	8.5Kg	9.5Kg	10.5Kg
GROSS WEIGHT	10Kg	11Kg	12Kg

## SPECIFICATIONS

PA AMPLIFIER(3U)		
MODEL	T-240MB	T-350MB
RATED POWER OUTPUT	240W	350W
SPEAKER OUTPUTS	4 $\Omega$ , 70V/100V	
INPUT IMPEDANCE	MIC 1、 2、 3、 4: 2mv/600 Ohms,Balanced /Unbalanced AUX 1: 300mV/15KOhms, Unbalanced	
AUX OUTPUT	600ohm 1V	
FREQUENCY RESPONSE	80Hz~15KHz	
S/N RATIO	MIC 1、 2、 3: 66dB;AUX 1: 80dB	
T.H.D	Less than 1% at 1KHz, 1/3 rated power	
TONE CONTROL	Bass: $\pm 10$ dB at 80Hz Treble: $\pm 10$ dB at 15KHz	
PROTECTION	DC output , overload, overheat, shortcircuit	
POWER REQUIREMENTS	MIC 1 input with first priority	
POWER CONSUMPTION	~220V/50Hz	
PROTECTION	400W	500W
DIMENSION(mm)	420X342X88	446X440X132
NET WEIGHT	13Kg	17.5Kg
GROSS WEIGHT	14.5Kg	25Kg

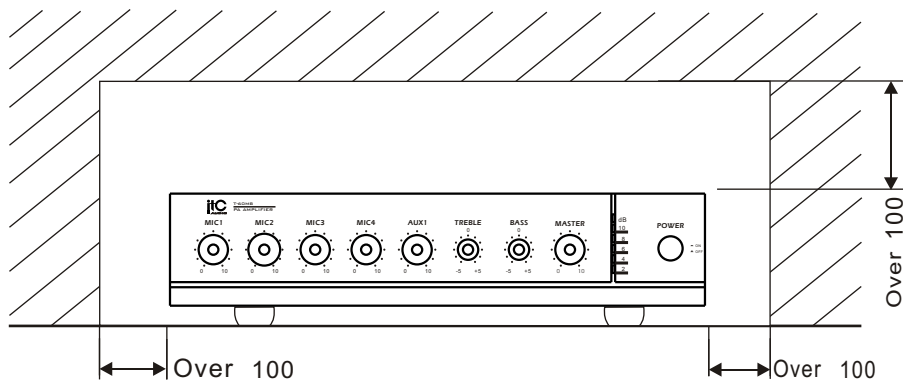
# 10. DIMENSIONAL DIAGRAM

T-30MB/60MB/120MB/240MB UNIT :mm



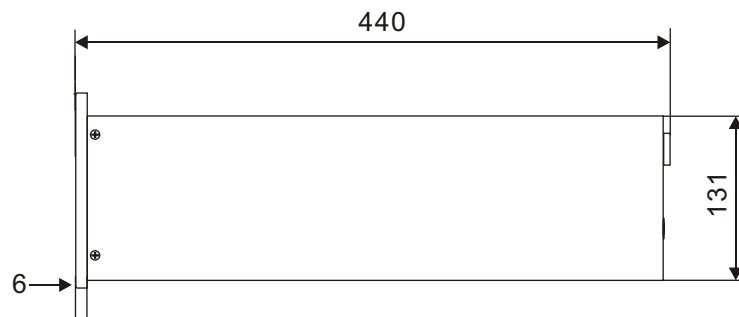
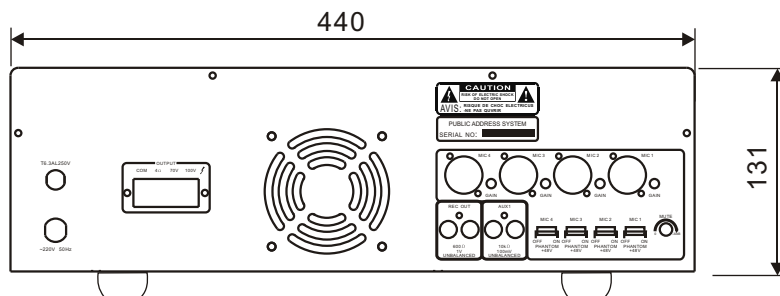
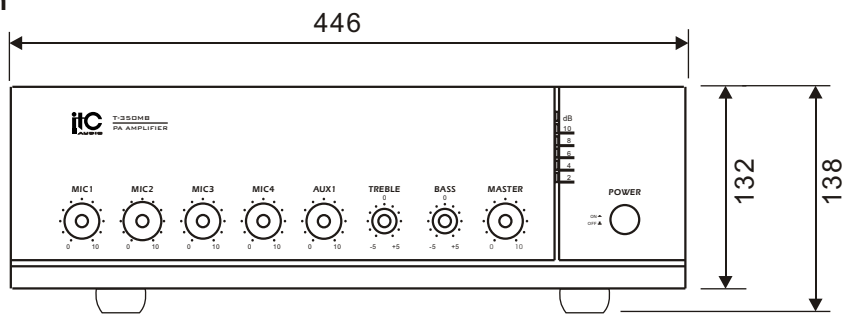
Keep the unit's all sides over 10 cm away from objects that may obstruct air flow to prevent the unit's internal temperature rise.

UNIT :mm



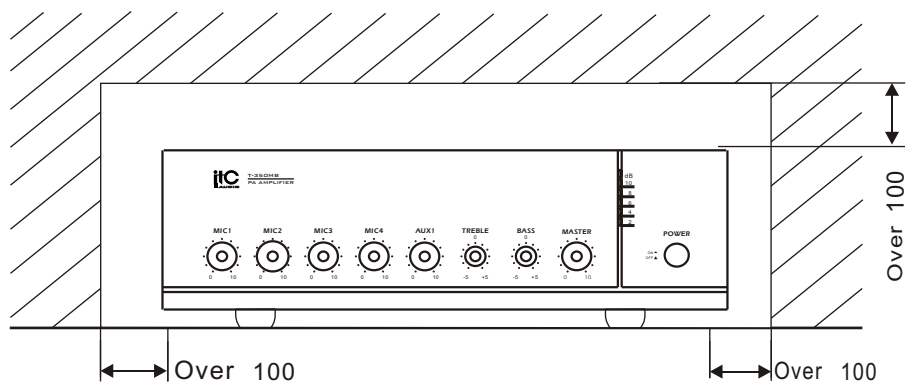
# DIMENSIONAL DIAGRAM

T-350MB UNIT :mm



Keep the unit's all sides over 10 cm away from objects that may obstruct air flow to prevent the unit's internal temperature rise.

UNIT :mm



# PUBLIC ADDRESS SYSTEM



Guangzhou ITC Electronic Technology Limited  
[Http://www.itc-pa.com.cn](http://www.itc-pa.com.cn)