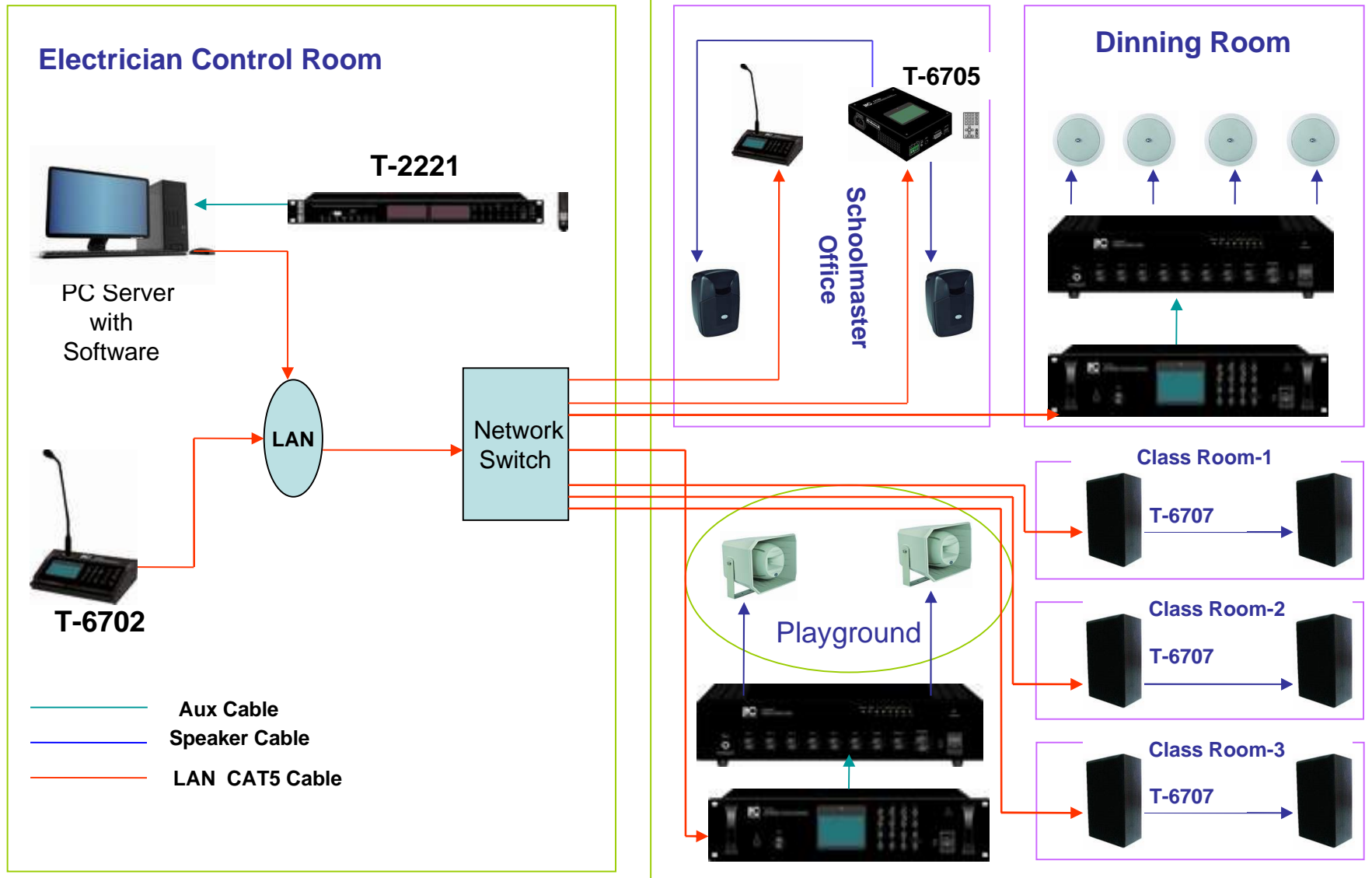


IP/TCP Network Audio System for School



Network Audio System

- Music & paging over LAN network transmission.
- Most economy and flexible background music and audio bus management system.
- Ideal solution for vast area sound system.
- Flexible management all together or separately
- Remote distance communication system.
- Minimum cable layout cost by using the exiting network system.
- Nearly 300 milliseconds, it is hardly distinguished by human ear.
- High fidelity signal of a wide frequency range from 20Hz to 16kHz.
- Simultaneous multi-zones BGM/paging (Point, group points, zone, group zone, area broadcast and paging).
- Flexible configuration from 10 zones to 7000 zones.
- Easy upgrade and system expansion over existing non-dedicated LAN/WAN or internet.
- Two way communication system=intercom system is option.
- Packet audio use only about 124kbs bandwidth makes it is possible to transfer more than 500 programs over non-dedicated networks.
- 3 levels of management software with pre-assigned access priority.
- Local user program selection and volume control through remote control.
- Inter-work with door access system and CCTV system together.

Architects' & Engineers' Guidance

The solution is specially design for school, college and university etc. Since most of schools had already built up its LAN network, so the most economy solution is the network audio system. The system is built-in special audio processor to ensure its hi-fi sound quality. Data delay only about 300 milliseconds. High reliable system for easy maintenance and avoid information eavesdropping.

The network audio system from ITC featured both decentralized management and centralized management. So one PC for system software setting and management and a T-6702 network remote paging console for live announcement and zone paging will be placed in the electrician control room, every class room will install an active IP loudspeaker package T-6707. While for school master office, a T-6705 network audio adapter with two hi-fi wall mount speaker will be installed for best sound enjoyment, moreover a T-6702 network remote paging console is available for emergency fireman paging and voice announcement. For a bigger size application like dinning room, a T-6701 and mixer amplifier T-120AP is applied for multi-speaker sound distribution system. The audio bus could be transferred and distributed one pre-recorded voice message or music from control room or schoolmaster office to different class rooms by one action. Multi-tasks simultaneously enable this system of highest capacity: live music and announcement broadcast, pre-recorded message broadcast and scheduled program broadcast provide a user friendly easy operation.

T-6701 is a 19" rack mount network audio adapter, which is built-in a signal channel TCP/IP decoder used to decode the digital audio and control data into analog one for amplifier. So only a LAN input is needed from the network switch to ensure it has separate TCP/IP address for the system distinguish, by this way, the system could simultaneously distribute different tasks to different amplifiers. All points and separate point management is available. It is the heart of the IP system for background music, live announcement, pre-recorded voice message scheduled broadcast. A 5" LCD screen is supplied to display all system status and its IP address setting data in English, where a remote control could be used for music broadcast, volume attenuation and data setting. Numeric keys on front panel for convenient and manual music operation. The network audio adapter T-6701 provides 4 channel line outputs to amplifiers, which could be both high impedance and low impedance amps for various applications. Local inputs include microphone and line of priority. This network audio adapter could be connected to the existing LAN network to save a lot of wire layout cost. Another advantage makes it possible to install this unit both in electrician control room or terminal end-user room.



Architects' & Engineers' Guidance

T-6702 is a network remote paging console which could be used to make live announcement over LAN network. Flexible paging modes includes: separate point, group points, zone, group zones and all zones. It built-in a speaker for monitoring. A line output could be used for external monitoring. More options include intercom and talk-back versions are available.

T-6705 is a wall mount network audio adapter, built-in 10W+10W stereo amplifier. It is built-in a signal channel TCP/IP decoder used to decode the digital audio and control data into analog one for its inside amplifier and to loudspeaker. So only a LAN input is needed from the network switch to ensure it has separate TCP/IP address for the system distinguish, by this way, the system could simultaneously distribute different tasks to different amplifiers. All points and separate point management is available. It is the heart of the IP system for background music, live announcement, pre-recorded voice message scheduled broadcast. A 5" LCD screen is supplied to display all system status and its IP address setting data in English, where a remote control could be used for music broadcast, volume attenuation and data setting. Local inputs include microphone and line of priority. This network audio adapter could be connected to the existing LAN network to save a lot of wire layout cost. This unit usually will be installed in terminal end-user room.

T-6707 is a wall mount IP active loudspeaker package, which made up of an active loudspeaker and a passive one. The T-6707 package is built-in TCP/IP decoder, 10W+10W stereo amplifier and a loudspeaker, so it is all in one solution for school. It is the most economy and simplest layout system, which could use the school exiting LAN network. A local stereo line input is provided for teacher laptop use.

The T-511D is a condenser mic is used by fireman/electrician in the control room, which have highest priority announcement in case of emergency.

The T-767 is a high level wall mount box, rated at 50W, its powerful sound output make it is suitable for indoor wide open rooms, a mounting bracket is supplied.