



Descriptions

The basic public address 5 zone mixer amplifiers have power ratings from 450W. They are featured of 3 microphone inputs, 2 aux inputs and 2 EMC inputs.

Priority muting is achieved via EMC1-2 for overriding other inputs except Mic1 on front panel. Individual gain controls are provided for Mic 1-3 and Aux 1-2, bass and treble controls and master volume control are provided for overall tone control. 70V, 100V and low impedance 4-16ohms speaker outputs are provided. Extensive protection from short-circuit, overload and high temp.

Features

- * Mixer amplifier for paging and background music system
- * Rated power from 450W
- * 3U rack mount design
- * 70V, 100V and low impedance 4-16ohm speaker output
- * 5 zone and all zone speaker terminals
- * Three Mic inputs by phone jack type
- * Mic 1 with VOX priority and VOX level on front panel
- * Mic 2-3 by phone jack on rear panel
- * Two Aux Inputs and 2 line inputs for spare use
- * Two EMC priority inputs
- * EMC1 has priority over all inputs except MIC1
- * Mic 1-3, Aux 1-2 and master volume controls and bass/treble tone control
- * Short circuit, overload and high temp protection

Optional

- * DC 24V available on less than 550W model
- * Panel with/without handhold
- * Faults monitoring module, it can output short circuit signal to achieve main/spare amplifier switch

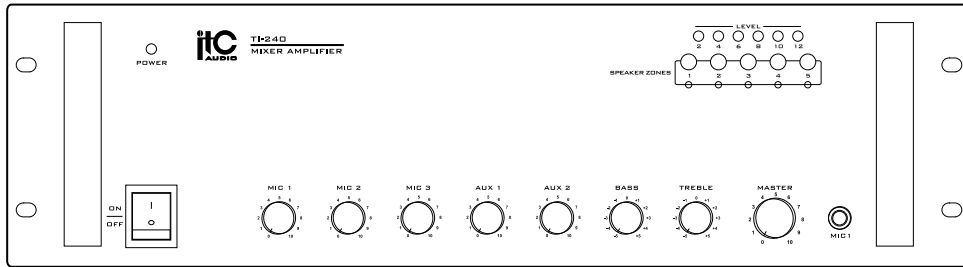
Specifications

Model	TI-450
Rated Power Output	450W
Speaker Outputs	70V, 100V & 4~16Ω
Input	MIC 1, 2, 3: 5mV-200mV/600Ω , unbalanced AUX 1, 2: 250mV/47KΩ ,unbalanced
Output	600Ω , 0.775V
Frequency Response	50Hz~15KHz(± 2dB)
S/N Ratio	MIC 1, 2, 3: 66dB; AUX 1, 2: 80 dB
THD	Less than 0.5% at 1KHz, 1/3 rated power
Muting Function	MIC 1 overrides other input signals with 0-30 dB attenuation
Controls	Individual gain controls, power switch Bass: ± 10dB at 100Hz, Treble: ± 10dB at 10KHz
Indicators	Power LED, output level meter, protect and temp
Protection	AC fuse, short-circuit and high temperature
Power Supply	~110V/60Hz or~230V/50Hz 24V DC optional
Power Consumption	600W
Weight	22.7Kg
Dimensions	484x435x132mm
Finish	Panel: aluminum plate,black Case: steel plate, black

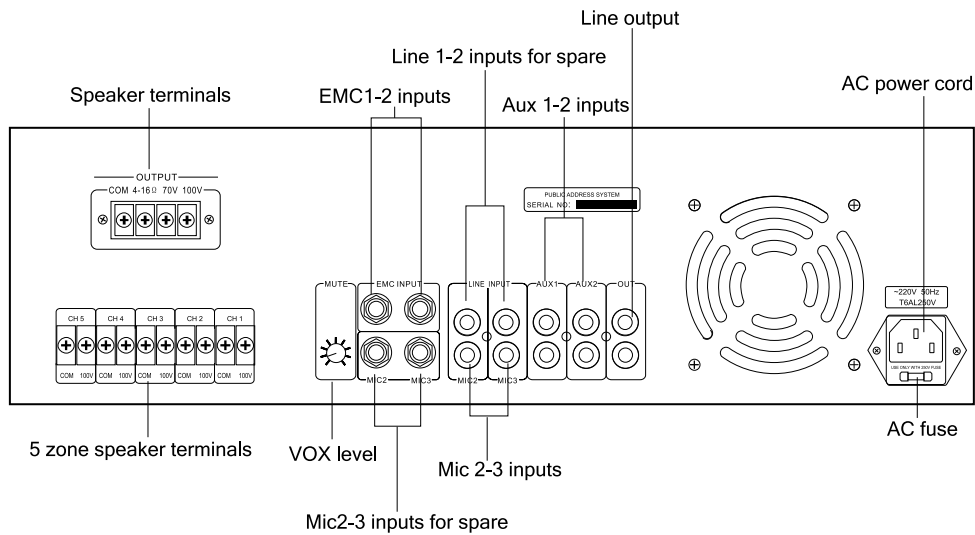
5 Zones Mixer Amplifier (Phone jack MIC Input) TI-450



Front Panel



Rear Panel



Connections

