

Features

- Built-in 100v/70v transformer
- Explosion-proof horn type loudspeaker
- IP66 waterproof level
- Power output 35W @100V
- Steel enclosure and steel bracket

Description

The T-783 is a explosion-proof horn speaker built-in 70v/100v transformer. The 70v/100v transformer technique reduces line losses on longer distance and allows easy parallel connection of multiple loudspeakers.

The built-in horn speaker driver is designed of wide frequency response 250-8kHz, the rated power output 35W could meet different applications varies from room size and ambient noise surroundings.

The steel enclosure and steel bracket are of red color. Easy and secure wall mount installation through the supplied mounting bracket.

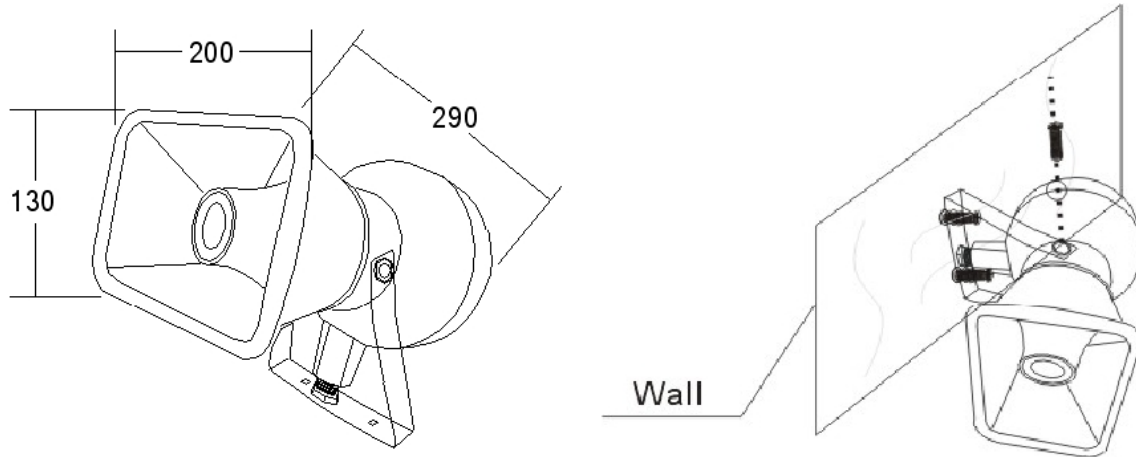
It is ideal choice for industrial and commercial applications in the security area of coal mine, nuclear power plant etc where background music and paging is needed.



Specification

Model	T-783
Power Taps @100V	35W
Power Taps @70V	17.5W
Impedance	Com/280Ω
SPL(1W/1M)	101dB ±3dB
Max.SPL (Rated W/1M)	116dB
Frequency Response (-10dB)	250-8KHz
Finish	Baffle: Steel, Red
IP Rate r	IP x6
Dimensions	200×130×290mm
Weight	5.8Kg
Mounting	With mounting bracket fixed by screw

Appearance:



Frequency Response

