

Descriptions

The T-6240S is a public address pre-amplifier with eight line level inputs, one unbalanced MIC input and two EMC (priority) level inputs. Each of the eight input channels can be selected via front panel push buttons for use with the MIC input, in this way the T-6240 can be used to page individual channel. Priority muting is achieved via Mic1 inputs for overriding other inputs. Individual gain controls are provided for each channel and MIC inputs.

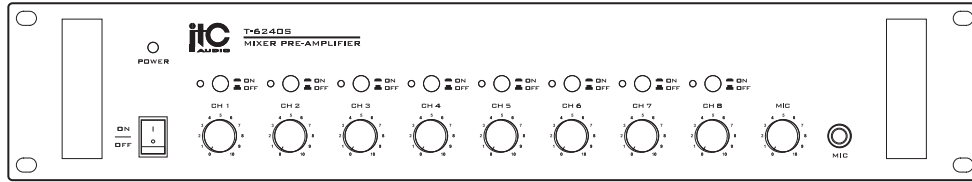
Features

- * 8 line inputs by dual RCA types
- * 8 line outputs by dual RCA types
- * One Mic input with VOX priority
- * 2U rack-mount chassis

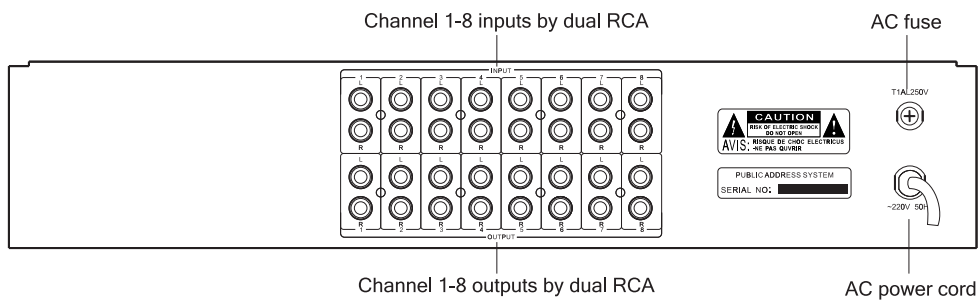
Specifications

Model	T-6240S
Input	MIC 1: 600 Ω /5mv Unbalanced CH1~CH8 R/L: 10K Ω /245mv Unbalanced
Output	600 Ω /0.775V 0dBV
Frequency Response	20Hz~20KHz (\pm 3dB)
Crosstalk	MIC input: 80dB CH1-CH8: 85dB
Protection	AC fuse x1
Power Supply	~110V/60Hz or ~230V/50Hz, DC 24V optional
Weight	12Kg
Dimensions	484 \times 370 \times 88mm

Front Panel



Rear Panel



Connections

