

Descriptions

The T-6240 is a public address pre-amplifier with eight line level inputs, one unbalanced MIC input and two EMC(priority) level inputs. Each of the eight input channels can be selected via front panel push buttons for use with the MIC input, in this way the T-6240 can be used to page individual channel. Priority muting is achieved via EMC1-2 inputs for overriding other inputs except Mic1. Individual gain controls are provided for each channel and MIC inputs.

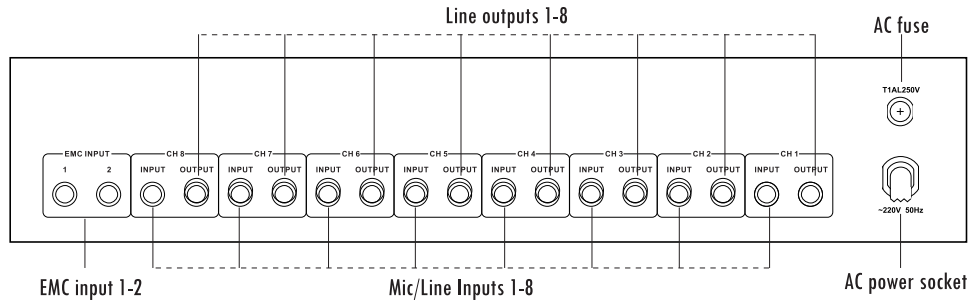
Optional

- * 8 unbalanced line/Mic inputs by phone jack
- * 8 unbalanced line outputs
- * One Mic input with VOX priority
- * Two EMC priority inputs
- * EMC1 has priority over all inputs(Except MIC 1)
- * 2U rack-mount chassis

Specifications

Model	T-6240
Input	MIC: 70mV/600Ω, unbalanced CH1-CH8: 350mV/10KΩ, unbalanced EMC: 1.2V/10KΩ, unbalanced
Output	1V, 600Ω
Frequency Response	50Hz~18KHz(± 2dB)
S/N Ratio	MIC: 66dB; LINE: 80dB
THD	0.01%
Crosstalk	MIC: 80dB; LINE: 85dB
Muting Function	EMC1, 2 overrides other input signals exception MIC1 With 0-30dB attenuation
Controls	LINE, MIC volume controls, channel selectors, power switch
Indicators	Power LED, MIC channel LEDs
Protection	AC fuse: 1A
Power Supply	~110V/60Hz or ~230V/50Hz
Power Consumption	35W
Weight	4.6Kg
Dimensions	484×350×88mm
Finish	Panel: aluminum plate, black Case: steel plate, black

Rear Panel



Connections

