

Descriptions

The T-6207S is a versatile 8 inputs by 8 outputs stereo audio matrix system. It is suitable for high level sound quality needed applications like in office, hotel, conference room and theme bar. This matrix makes it possible to play 8 sources into 8 zones simultaneously.

The matrix with 8 channel dual-bit digital LCD display the sources number and 0-31 volume level. Each channel is designed to be with LED indicators. Up and down function buttons are equipped for each 8 channel, the volume and source switch is placed on the front panel.

Memory function of source and volume setting after power off make it easier for repeatable operation. Mic input on rear panel by 1/4" phone jack type with VOX over other inputs, a volume control for the mic is also available.

There are 8 dual RCA inputs and 8 dual RCA outputs. The RJ45 control port communicates with the remote control panel through CAT 5 cable. The ground lifter helps to avoid noise when connection with ground line.

The matrix could work together with one main remote control panel and 8 user panels. Each 8 panel could easily select and broadcast different sources in its own zone.

The T-6207 stereo audio matrix works together with T-6240S (8 channel stereo mixer) and 4 channel power amplifier as a complete stereo matrix music system for commercial and industrial use.

Features

- * 8 dual RCA input and 8 dual RCA output
- * Each output volume control on front panel or through remote panel
- * Memory of previous setting
- * Mic input with VOX priority

Specifications

| | |
|-------------------|--|
| Model | T-6207S |
| Audio channels | 8 CH stereo input, 8 CH stereo output |
| Control | Key switch |
| Indicator | LEDs |
| Protection | AC fuse, 1A |
| Power consumption | 25W |
| Power supply | ~110V/60Hz or ~230V/50H, DC 24V optional |
| Weight | 4.1Kg |
| Dimensions | 484 × 368 × 88mm |



Main Remote Control



User Remote Control

Descriptions

The T-6207R is a remote control panel over sources and volume from audio matrix T-6207S.

Each of the user remote control panels could easily select over 8 sources for its own zone and adjust the 0-31dB volume, while the main panel not only covers all features of user panel but also with additional features of assignment 8 sources as inputs to the matrix, so this panel could be regard as a remote control over T-6207S.

It communicate with the matrix through CAT5 cable, however only 4 wires of the cable will be used. Maximum 8 user remote control panels plus one main control panel will be used together with the matrix. The control panel will be power supplied from the matrix within 50 meters, so extra DC power supply will be needed if the distance is longer. The dipswitch of this panel as its address code could be easily distinguished by the matrix.

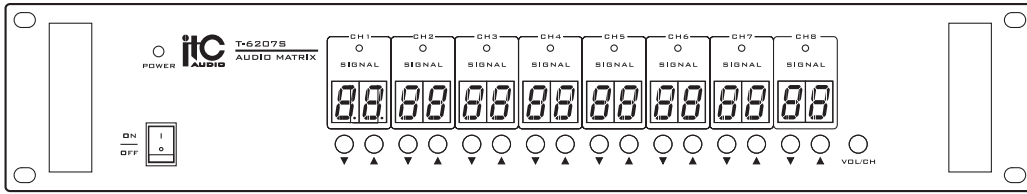
Features

- * Remote control panel over sources and volume
- * 8 user panel and a main panel could be work together with the matrix
- * Main remote control panel over matrix input, output and volume
- * User remote control panel over output and volume
- * Remote control panel power supply from the matrix within 50 ms
- * Easy wiring through CAT5 cable
- * Metal or ABS mount box as optional part for the control

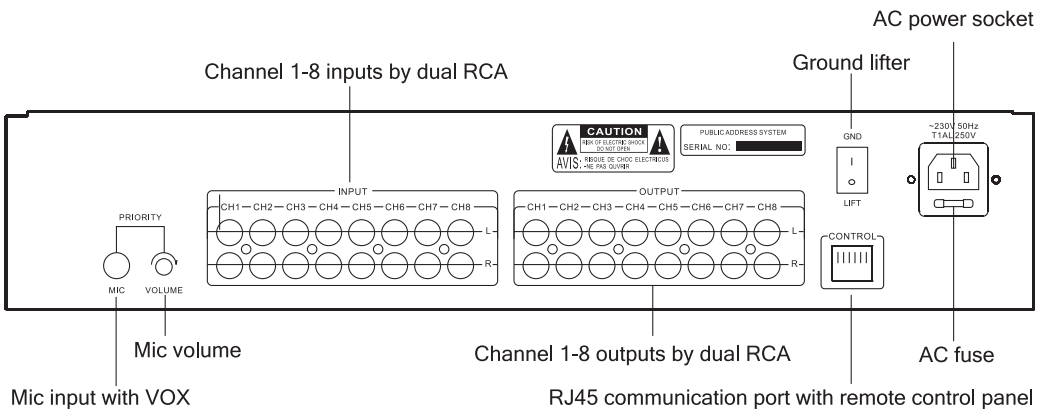
Specifications

| | |
|---------------------------------|--------------------|
| Model | T-6207R |
| Power Source | Terminal provide |
| Standard Communication Protocol | RS-485 |
| Rated Power | 0.115W |
| Dimension | 82.5 × 82.5 × 45mm |
| Weight | 0.7Kg |

Front Panel



Rear Panel



Connections

