

120W SD chime Tel Input 100V

Descriptions

The mixer amplifier with MP3 player is range 120W.

Its design is suitable for both tabletop and rack mount.

The two mic inputs by both XLR type and phoenix connectors, mic1 vox level is also provided. Aux input make it possible to add another audio source.

The Pre out and AMP in could be used to add signal processing equipments like mixer and EQ to achieve better sound quality.

The SD card slot on the rear panel provides secure and convenient operation for MP3 file input.

Another unique feature is telephone paging system and music on hold system.

These 70V, 100V and low impedance 4-16ohm speaker terminals are flexible for user during installation.

The 100V technique reduces line losses on longer distances and allows easy parallel connection of multiple loudspeakers.

It is typically used in villas, shops, supermarkets, restaurants, bars, theme parks, schools, canteens, garages and other places where BGM creates the right atmosphere, as well as clear voice announcement is needed.

Features

- * Amplifier built-in MP3 player
- * Tabletop and rack mount design
- * Rated power output 120W
- * 70V, 100V and low impedance 4-16ohm speaker outputs
- * 2 mic inputs by both XLR type and phoenix connectors.
- * Mic 1 of VOX feature with priority over other inputs except tel input, vox level is provided
- * 1 Aux input, tel input and music on hold for telephone paging system
- * Built-in chime and chime activation button on front panel
- * SD card slot to read MP3 files
- * Pre out and amp input for other signal processing equipments like mixer and EQ
- * Mic1-2, aux and master volume control, bass and treble tone control
- * Play modes, play/pause, stop/return, previous, next functional buttons for MP3 player
- * Power indicator and output level meter, SD card error and play indicators
- * Current limiter, overload, short-circuit and thermal protection

Specifications

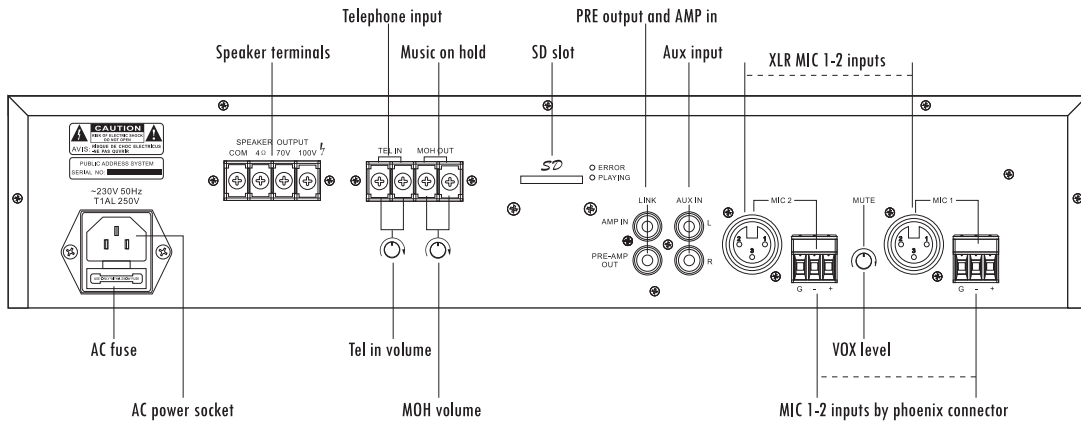
Model	T-120MP
Rated Power Output	120W
Speaker Outputs	70V, 100V & 4~16Ω
Frequency Response	50Hz~15KHz(± 2dB)
MIC 1 and MIC 2	± 2mV/10KΩ , balanced ± 2mV/600Ω , XLR connector
AUX Input	350mV/10KΩ
Telephone Input	1V/10KΩ
Amp Input	0.775V/600Ω
Line Input/Impedance	1V/600Ω
Music on hold/Impedance	0.775V/600Ω
MP3	
Frequency Response	20Hz~20KHz(+1/-3dB)
THD	<0.5%
Power Supply	~110V/60Hz or ~230V/50Hz
Power Consumption	200W
Dimensions	484×300×88mm
Net Weight	10Kg

Optional

* Panel with/without handhold

* Faults monitoring module, it can output short circuit signal to achieve main/spare amplifier switch.

Rear Panel



Connections

