

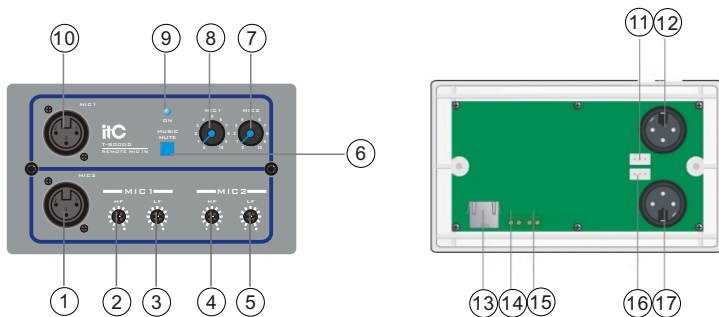
# T-8000D USER MANUAL

## 1.0 DESCRIPTIONS

T-8000D is a remote microphone input modular work together with T-8000, which will be used to input remote microphone. Two microphone inputs by XLR type connector are included, while both of them are designed of bass and treble tone control, moreover, master volume control of each microphone inputs are provided for dedicated control. A remote mic VOX mute button is provided to override the background music system when enabled. The communication between the panel and the matrix is through universal industrial standard CAT5 cable, which also is used to supply power from the matrix to this panel within 50 meters. There are total 8 units of remote control panels could be work together with the matrix.

It will be very useful to be installed at a remote place which could be used to input priority microphones.

## 2.0 FRONT PANEL & REAR PANEL



- 2.1 MIC2 INPUT Local microphone input by XLR type connector
- 2.2 MIC1 TREBLE CONTROL Tone control over microphone1 input, clockwise adjustment to increase the treble level from low to high.
- 2.3 MIC1 BASS CONTROL Tone control over microphone1 input, clockwise adjustment to increase the bass level from low to high.
- 2.4 MIC2 TREBLE CONTROL Tone control over microphone1 input, clockwise adjustment to increase the treble level from low to high.
- 2.5 MIC2 BASS CONTROL Tone control over microphone1 input, clockwise adjustment to increase the bass level from low to high.
- 2.6 MUSIC MUTE. The button is used to override the local input microphone over the background music system when it is enabled.
- 2.7 MIC2 MASTER VOLUME CONTROL Tone control over microphone1 input, clockwise adjustment to increase the volume level from low to high
- 2.8 MIC1 MASTER VOLUME CONTROL Tone control over microphone1 input, clockwise adjustment to increase the volume level from low to high.
- 2.9 POWER LED. The LED will be light on blue after power on and will be extinguished after power off.
- 2.10 MIC1 INPUT Local microphone input by XLR type connector
- 2.11 MIC1 SINGAL INPUT Connector to input microphone signal to the PCB board
- 2.12 MIC1 CONNECTOR
- 2.13 RJ45 COMMUNICATION PORT The RJ45 port is used to communicate between the remote control panel and the matrix, it also will be used to power supply the panel within 50 meters.
- 2.14 SPARE AUX OUTPUT TO AMP.

2.15 SPARE 24V DC INPUT, Extra DC 24V will be needed to power supply the remote control panel when the communication distance is longer than 50 meters.

2.16 MIC2 SINGAL INPUT Connector to input microphone signal to the PCB board

2.17 MIC2 CONNECTOR

## 3.0 CONNECTION & WIRING

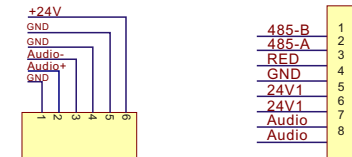
3.1 Power supply. The RJ45 port is used to communicate between the remote control panel and the matrix, it also will be used to power supply the panel within 50 meters. While spare DC24V input is provided for extra power soupy to the remote control as soon as the communication distance is longer than 50 meters. The communication cable shall be universal industrial CAT5 cable.

3.2 Microphone input. The mic input's 3 pins at the back side will be send to the PCB board through the microphone signal input.

3.3 Aux output: Aux output is included in the Rj45 communication port, a spare aux output is also provided.

3.4 SPARE AUX OUTPUT & SPARE 24V DC INPUT.

3.5 RJ45 communication port.



## 4.0 OPERAT10N

4.1 Power Supply. The remote control panel will be power on whether there is DC24V from the matrix or extra equipments. The power indicator will be light on blue, which also will be as status indicator to display the communication is well or not.

4.2 Volume & Tone Control. A ten levels volume control is provided for each microphone inputs, separate bass and treble tone control is also provided

## 5.0 SPECIFICATIONS

Mic Input	10mV
Aux Output	775mv
Frequency Response	50Hz-18KHz ( $\pm 10$ dB)
S/N Ratio	$\geq 70$ dB
THD	$\leq 1\%$ @1KHz
Controls	Controls Volume control, bass and treble of Mic1 and Mic2
Power Supply	DC 24V
Weight	161g
Dimension(W x D x H)	86x146x33(mm)